

OVERVIEW

Universal lightweight motorized rotary stage

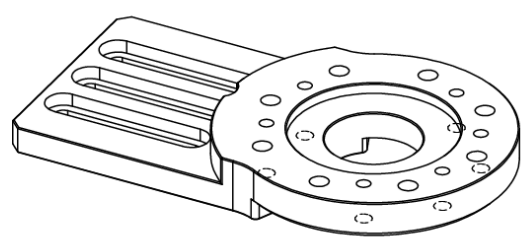
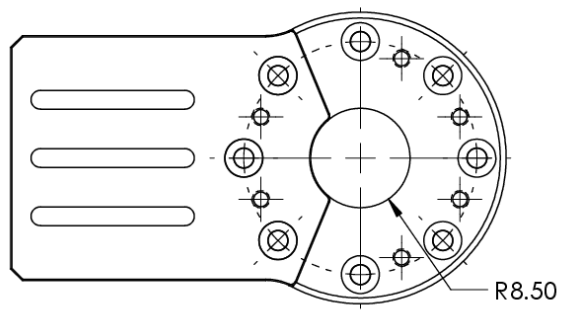
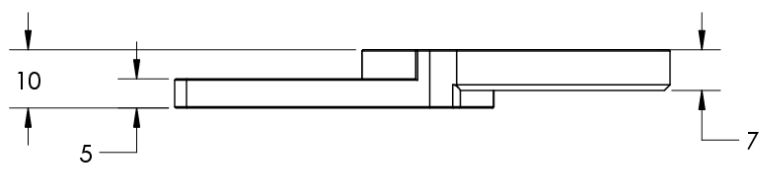
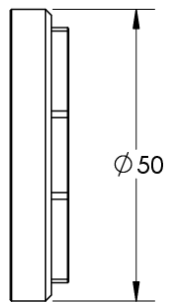
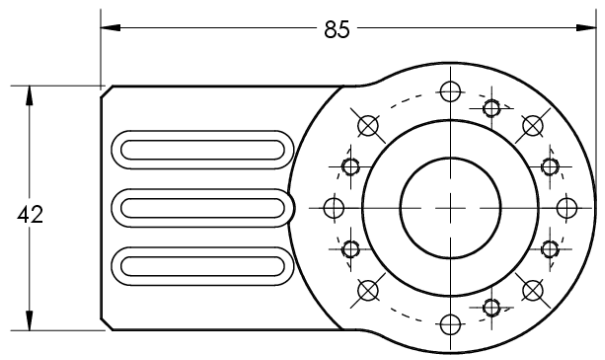
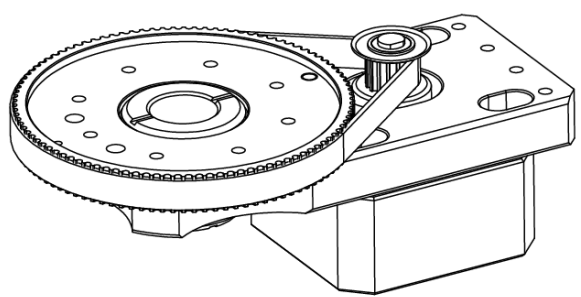
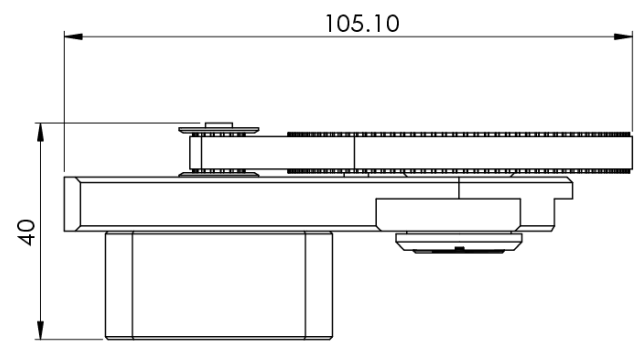
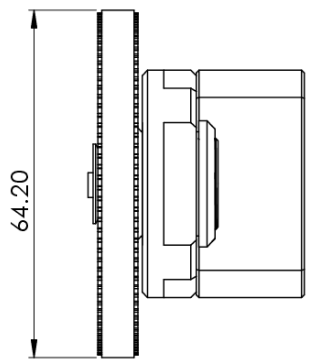
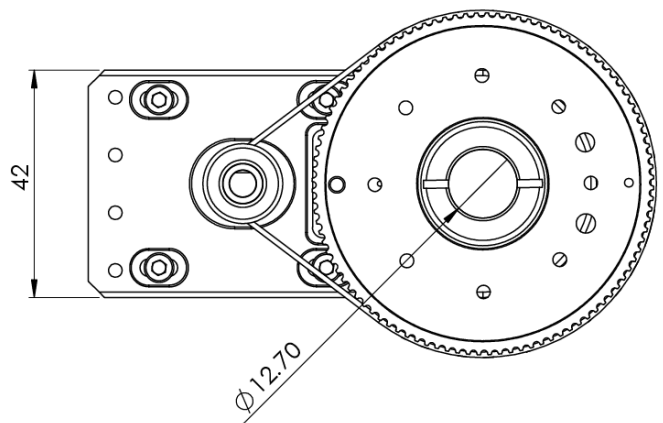
FEATURES

- 6061-T6 black anodized aluminium and stainless steel axle
- Modular construction
- GT2 belt drive for smooth operation
- Double preloaded instrumentation bearings zero backlash
- 12.7mm through hole for wire harness or slip-ring
- Magnetic Hall sensor for precise homing
- Rotation speed with SCA1 controller default settings 0.091-27.5 RPM
- Minimal rotation angle 0.025°
- Reduction ratio 1:5

SPECIFICATIONS

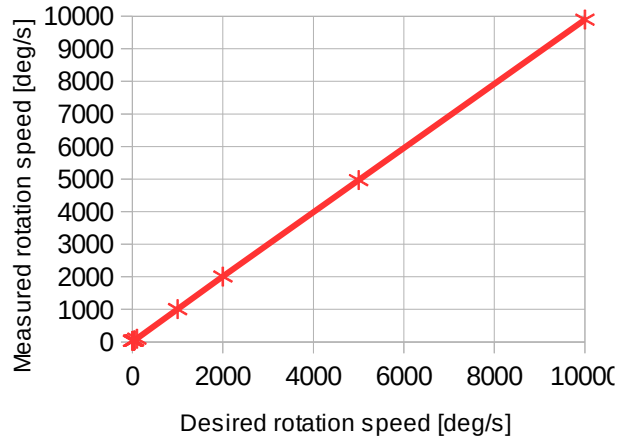
Reduction ratio	5:1
Stepper motor step angle	1.8°
Usable micro-stepping	16
Motor current	1 [A]
Rotary stage max torque	0.5 [Nm]
Min rotation speed	0.091 [RPM]
Max rotation speed	27.5 [RPM]
Step angle	0.0255° (with 1:16 micro-stepping)
Pulley 1	GT2 20T
Pulley 2	GT2 100T
Weight	270 [g]
Slewing hole diameter	12.7 [mm]
Dimensions	105 x 40 x 64 [mm]
Radial load	20 [N]
Axial load	50 [N]

DIMENSIONS



Speed charts (with SCA1 controller default settings)

Rotation linearity



Minimal rotation speed

